

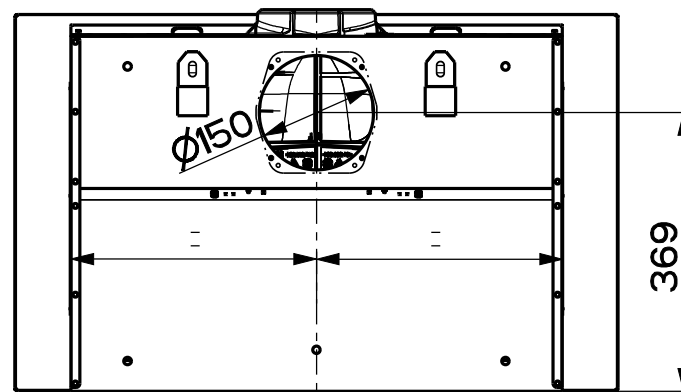
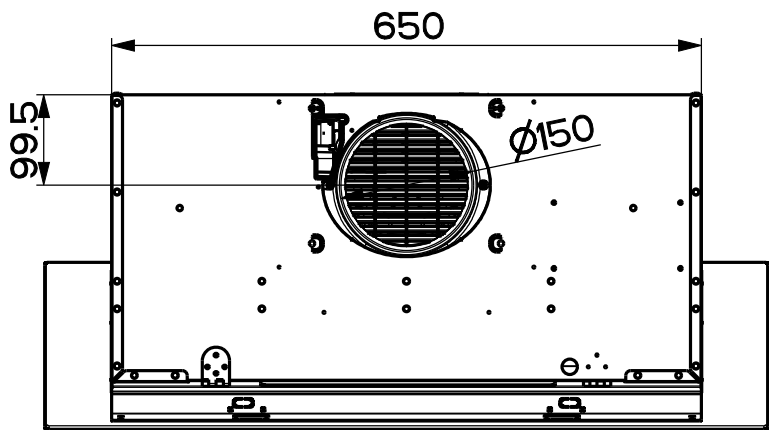
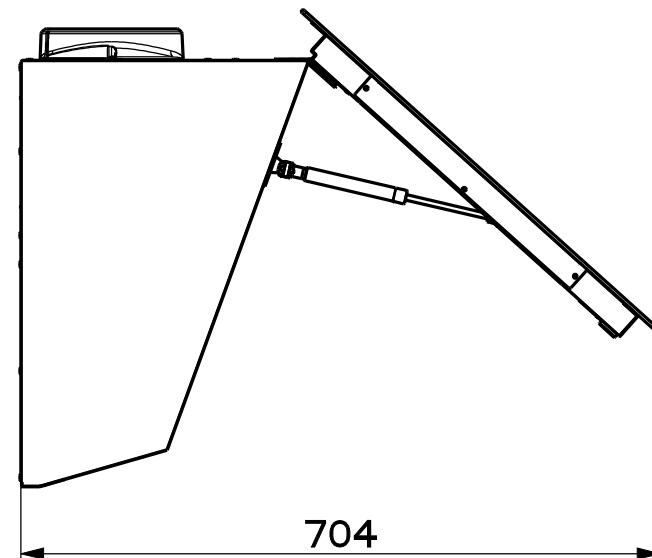
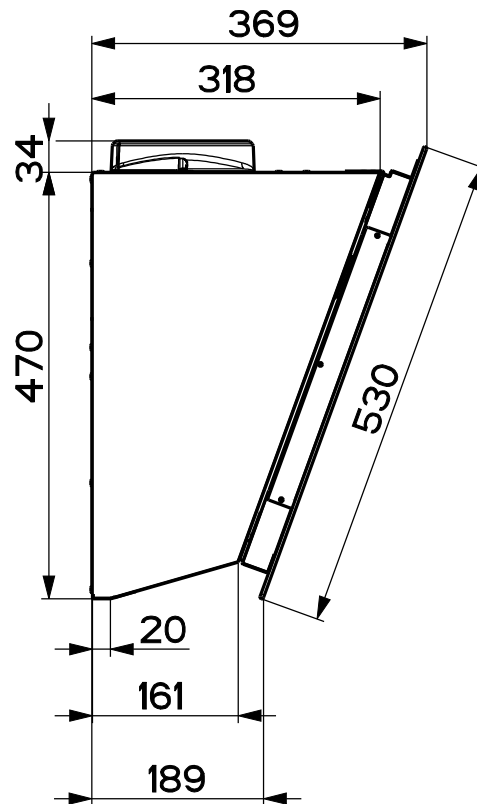
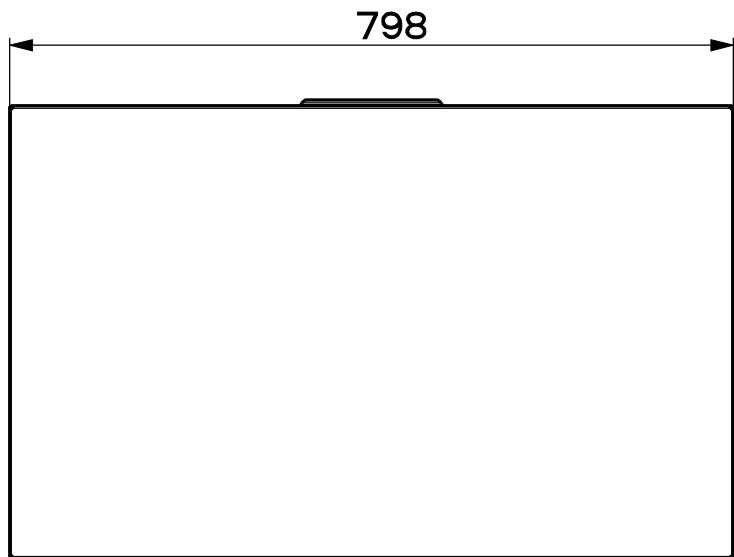
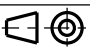


Created by Latini, Francesco	
Denomination DIMENSIONAL DRAWING PURE-TRUE SG	
Lang EN  	Sheet 1/2
Modif.by	
Approved by Bellucci, Daniele	
Approval date 11-Apr-2023	
Doc. status Released	
Drawing N. 330071_757	Rev 01



Created by Latini, Francesco	
Denomination	
DIMENSIONAL DRAWING PURE-TRUE SG	
Lang EN 	Sheet 2/2
Modif.by	
Approved by Bellucci, Daniele	
Approval date 11-Apr-2023	
Doc. status Released	
Drawing N. 330071_757	Rev 01